

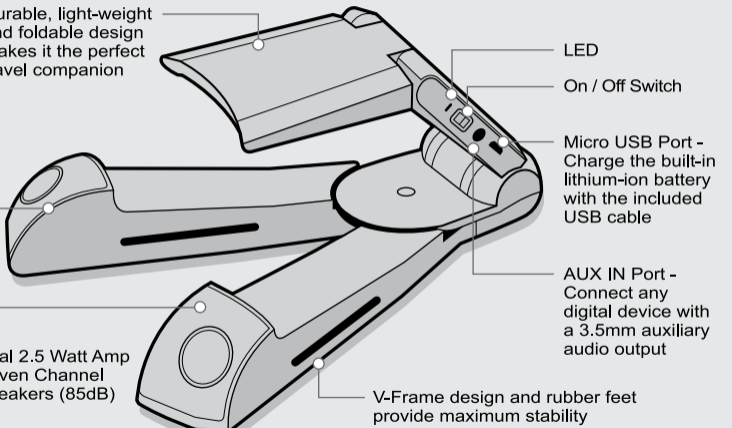
Bluetooth Wireless Speaker Tablet Stand

Quick Start Guide



ATBS01F

Product Highlights



Operation

Charging the battery

The battery is not fully charged and it is highly recommended that you charge ATBS01F before you begin using it.

Note: Using ATBS01F "out of the box" will not harm the device. You will experience reduced battery life as the unit will not be fully charged.

To charge the device, connect the USB end of the cable provided to your PC and the charger plug to the charging jack of ATBS01F. Please charge the battery for a minimum of (5) hours. The Red LED will be on while charging. When charging is complete, the red LED will turn off.

Pairing to a iPhone, iPad, smartphone and tablet

Make sure the device supports A2DP profile. The pairing procedure will vary depending on your device. Please refer to the user guide of your device for detail instruction. General pairing procedures are as follows:

1. Turn ON ATBS01F
2. Activate your device's Bluetooth function and set your device to search for Bluetooth devices. Select "Bluetooth" when it is found.
3. For transmitter with Bluetooth version 2.1, you will not need to input a code. If you are prompted for PIN, please enter "0000".
4. If prompted by your device to connect, please select "Yes".
6. After connecting successfully, the green LED will stay on.

Note: Please make sure the audio output is set to Bluetooth / ATBS01F for audio streaming from the device.

Tech Support & Warranty Information

If you need further assistance, please contact the Aluratek support department for troubleshooting prior to returning this device.

E-mail: support@aluratek.com

Web: www.aluratek.com/support

Local (Tustin, CA): 714-586-8730

Toll free: 1-866-580-1978

Aluratek warrants this product against defect in material or workmanship for **1 Year** from the date of purchase.

For more information, please visit: <http://aluratek.com/warranty-return-policy>

You can register your product online at: <http://aluratek.com/product-registration>

Radio and TV Interference Statement

WARNING!!! This equipment has been tested and found to comply with the limits of a Class B digital device, pursuant to part 15 of the FCC rules. These limits are designed to provide reasonable protection against harmful interference in a residential installation.

This equipment generates, uses and can radiate radio frequency energy and, if not installed and used in accordance with the instruction, may cause harmful interference to radio communications. However, there is no guarantee that interference will not occur in a particular installation. If this equipment does cause harmful interference to radio or television reception, which can be determined by turning the equipment off and on, the user is encouraged to try to correct the interference by whatever measures may be required to correct the interference.