

# iStream Universal Bluetooth Audio Receiver

## Quick Start Guide



model AIS01F

aluratek.com

qsg Q10231 Copyright © 2017 Aluratek, Inc. All Rights Reserved.

### Operation

#### Control Functions

Function	Operation
Power ON	When OFF, press and hold the Power Button for 3 seconds until the blue LD flashes
Power OFF	When ON, press and hold the Power Button for 3 seconds until the red LED flashes
Pairing	When OFF, press and hold the Power Button for 5 seconds or press the Power Button once in standby mode to start pairing (LED flashes red and blue)
Play / Pause	Press the Power Button once to play / pause music

### Operation

#### Using AIS01F With Power Connected

Here are the steps to follow if you want to use AIS01F with power connected. AIS01F will stay in standby mode as long the power is connected so your Bluetooth device can reconnect automatically after you are within range.

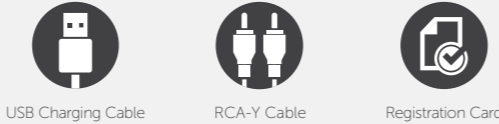
1. Make sure AIS01F is turned OFF.
2. Connect the larger USB end of the cable provided to your PC / power adapter / TV's USB port and the smaller end to the charging port of AIS01F.
3. Follow the pairing instruction to pair your device.

#### Clear Pairing Record

In pairing mode, double click the power button and the red and blue LED will flash at the same time for 1 second. AIS01F will clear the receiver pairing records.

### Package Contents

Your order has been carefully packaged and inspected. The following accessories should be included in your package. Please inspect the contents of the package to ensure that you have received all items and that nothing has been damaged. If you discover a problem, please contact us immediately for assistance.



### Operation

#### LED Indicators

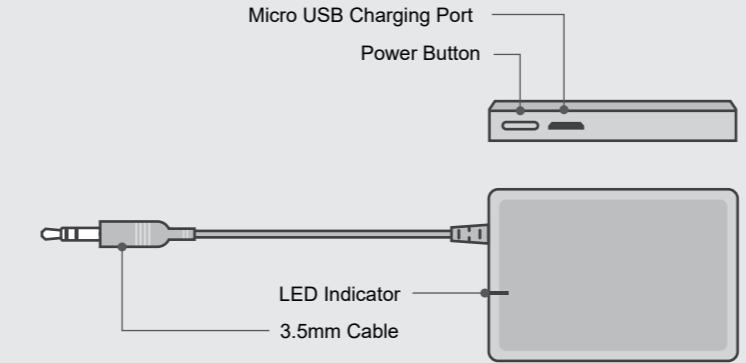
LED Indicator	Status
Solid Red LED	Charging
LED OFF	Power OFF / Fully charged if connected to a power source
Flashing Red and Blue	Pairing Mode
Flashing Red	Low battery
Flashing Blue twice every 5 seconds	Connected and on standby status
Flashing Blue once every 5 seconds	Connected and streaming
Flashing Blue once every 2 seconds	Standby mode

### Radio and TV Interference Statement

WARNING!!! This equipment has been tested and found to comply with the limits of a Class B digital device, pursuant to part 15 of the FCC rules. These limits are designed to provide reasonable protection against harmful interference in a residential installation.

This equipment generates, uses and can radiate radio frequency energy and, if not installed and used in accordance with the instruction, may cause harmful interference to radio communications. However, there is no guarantee that interference will not occur in a particular installation. If this equipment does cause harmful interference to radio or television reception, which can be determined by turning the equipment off and on, the user is encouraged to try to correct the interference by whatever measures may be required to correct the interference.

### Product Highlights



### Operation

#### Pairing

Please make sure the device supports A2DP profile. The pairing procedure will vary depending on the actual device. Please refer to the user guide of your device for detail instruction. The general pairing procedures are as follows:

1. Make sure AIS01F is turned OFF
2. Activate AIS01F pairing mode by press and holding the power button for 5 seconds (If AIS01F has not been paired to any device before, it will go into pairing mode after it is powered ON.)
3. Activate your device's Bluetooth function and set your device to search for Bluetooth device. Select AIS01F when it is found.
4. For transmitter with Bluetooth version 2.1, you will not need to input a code. If you are prompted for PIN, please enter "0000".
5. If prompted by your device to connect, please select "Yes".
6. After connecting successfully, the blue LED will flash twice every 5 seconds.

Note: Please make sure the audio output of your device is set to Bluetooth for audio streaming.

### Warranty

Aluratek warrants this product against defect in material or workmanship for **1 YEAR** from the date of purchase.

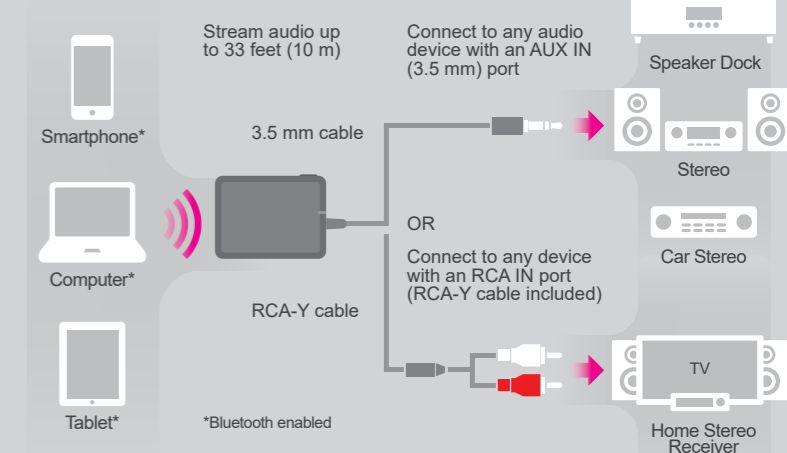
This warranty becomes invalid if the factory-supplied serial number or "warranty void" sticker has been removed or altered on the product.

- This warranty does not cover:
- A) Cosmetic damage or damage due to acts of God
  - B) Accident, misuse, abuse, negligence or modification of any part of the product.
  - C) Damage due to improper operation or maintenance, connection to improper equipment, or attempted repair by anyone other than Aluratek.
  - D) Products sold AS IS or WITH FAULTS.

IN NO EVENT SHALL ALURATEK'S LIABILITY EXCEED THE PRICE PAID FOR THE PRODUCT FROM DIRECT, INDIRECT, SPECIAL, INCIDENTAL, OR CONSEQUENTIAL DAMAGES RESULTING FROM THE USE OF THE PRODUCT, IT'S ACCOMPANYING SOFTWARE, OR IT'S DOCUMENTATION.

Aluratek makes no warranty or representation, expressed, implied, or statutory, with respect to it's products, contents or use of this documentation and all accompanying software, and specifically disclaims it's quality, performance, merchantability, or fitness for any particular purpose. Aluratek reserves the right to revise or update it's product, software or documentation without obligation to notify any individual or entity.

### Product Application



### Operation

#### Charging The Battery

The battery is not fully charged and it is highly recommended that you charge AIS01F before you begin using it.

Note: Using AIS01F "out of the box" will not harm the device. You will experience reduced battery life as the unit will not be fully charged.

Connect the larger USB end of the cable provided to your PC or USB power adapter (not included). Plug the smaller Micro USB to the charging port of AIS01F. The red LED will be on while charging. Please charge the battery for a minimum of 3 hours. When charging is complete, the red LED will turn OFF.

### Technical Support

If you need further assistance, please contact the Aluratek support department for troubleshooting prior to returning this device.

E-mail: [support@aluratek.com](mailto:support@aluratek.com)

Web: [www.aluratek.com/helpdesk](http://www.aluratek.com/helpdesk)

Local (Irvine, CA): **714-586-8730**

Toll free: **1-866-580-1978**