

# STREAM PRO

## WiFi Internet Radio Media Player

### Quick Start Guide



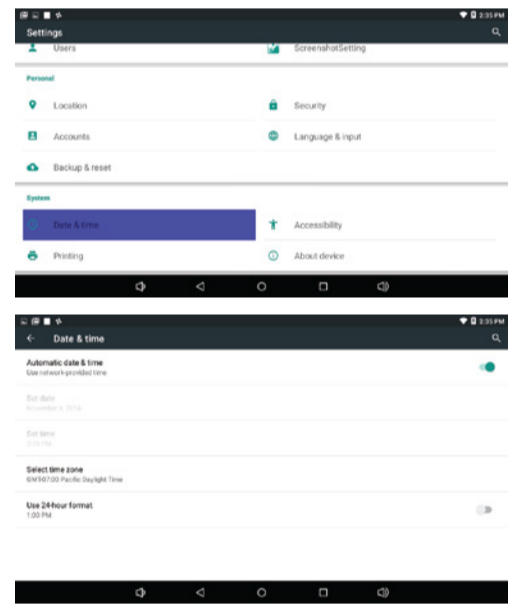
model AIRMM05F

aluratek.com qsg Q10334 Copyright © 2017 Aluratek, Inc. All Rights Reserved.

### Main Menu



### Date and Time Settings

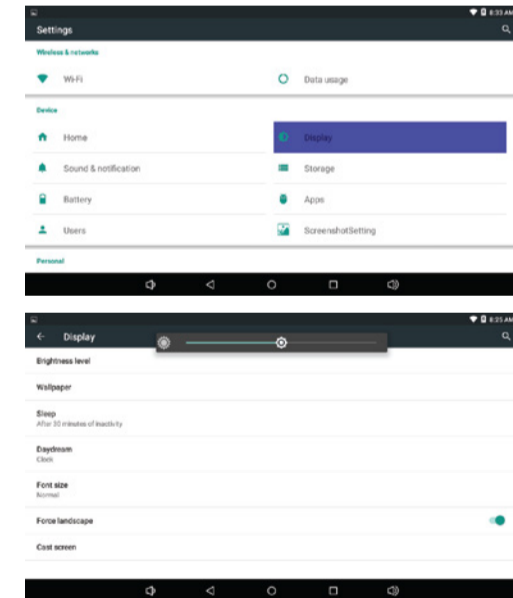


By default, AIRMM05F receives date and time information from the wireless network. When you are outside network coverage, you may want to set date and time information manually using the Date & Time settings.

1. From Home screen, touch: **Settings > Date and Time**
2. Uncheck/disable Automatic date & time
3. Touch a setting to configure:

- **Set date:** Enter the current date
- **Set time:** Enter the current time
- **Select time zone:** Choose your local time zone
- **Use 24-hour format:** Set the format for time displays
- **Select date format:** Set the format for date displays

### Display Settings



#### Brightness

Set the default screen brightness:

1. From Home screen, touch: **Settings > Display > Brightness level**
2. Touch and drag the slider to adjust and set the brightness

#### Sleep

Set the length of delay between the last key press, screen touch or the automatic screen time out (dim and lock):

1. From Home screen, touch: **Settings > Display > Sleep**
2. Select the desired setting

### Radio and TV Interference Statement

WARNING!!! This equipment has been tested and found to comply with the limits of a Class B digital device, pursuant to part 15 of the FCC rules. These limits are designed to provide reasonable protection against harmful interference in a residential installation.

This equipment generates, uses and can radiate radio frequency energy and, if not installed and used in accordance with the instruction, may cause harmful interference to radio communications. However, there is no guarantee that interference will not occur in a particular installation. If this equipment does cause harmful interference to radio or television reception, which can be determined by turning the equipment off and on, the user is encouraged to try to correct the interference by whatever measures may be required to correct the interference.

### Package Contents

Your order has been carefully packaged and inspected. The following accessories should be included in your package. Please inspect the contents of the package to ensure that you have received all items and that nothing has been damaged. If you discover a problem, please contact us immediately for assistance.



USB Cable

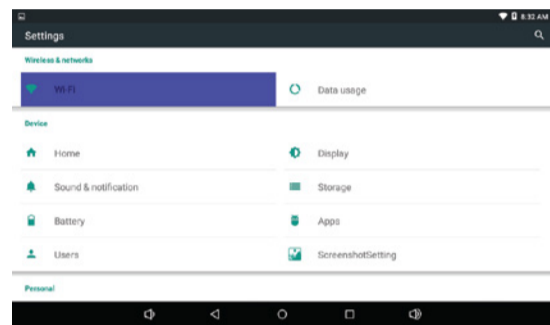


Power Adapter



Registration Card

### Network Settings



AIRMM05F supports Wi-Fi b/g/n. Use Wi-Fi settings to manage your device's Wi-Fi connections.

#### Turning Wi-Fi On or Off

Turn your device's Wi-Fi service on or off. When you turn Wi-Fi service on, AIRMM05F automatically searches for available in range Wireless Access Points (WAPs).

1. From Home screen, touch: **Settings > Wi-Fi**
2. Touch the button  to turn Wi-Fi On or Off.

### Sound Settings

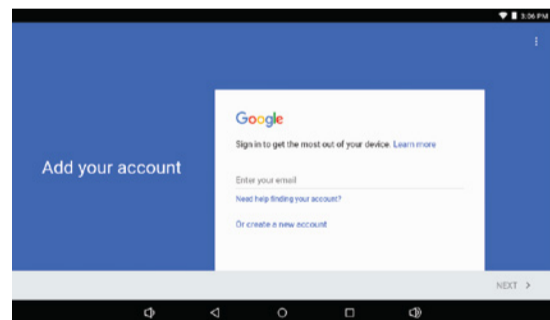
Set the volume level for all types of sounds.

*Note: You can only set volume when Silent Mode is disabled.*

1. From Home screen, touch: **Settings > Sound and Notification**
2. Touch and drag the sliders to set the volume for:
  - Music, video, games, and other media: Sounds for media and so on
  - 3. Touch OK to save your setting

*Tip: You can also set System volume from the Home screen by pressing the Volume Keys or the buttons on top of the unit*

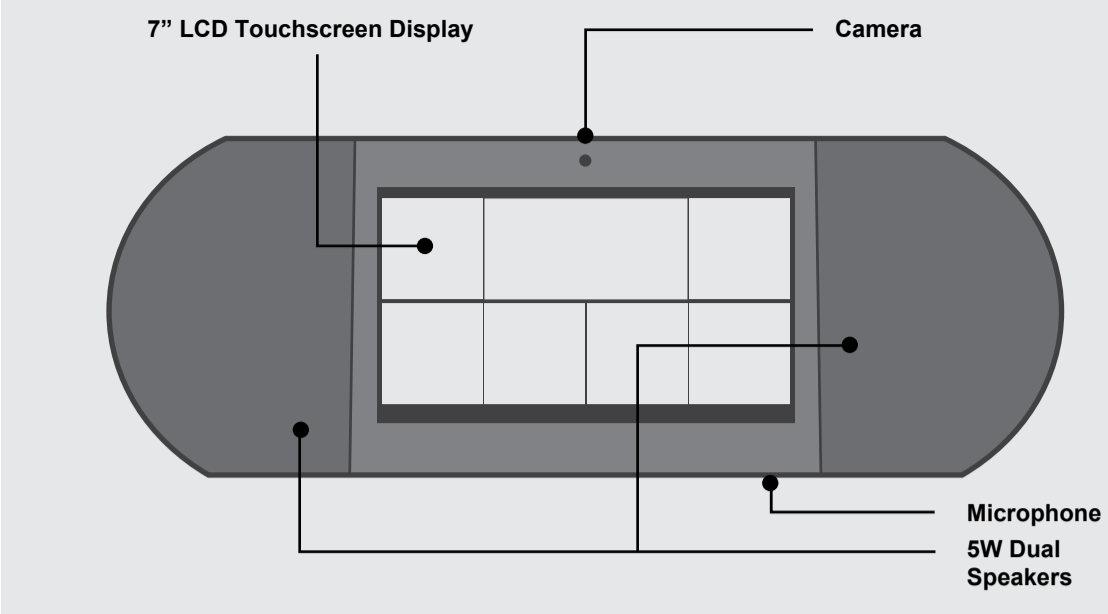
### How To Download Apps



Download app from Play Store:

1. Touch the Play Store icon / tile
2. Follow the on screen instruction to setup a new account or login to your Google account
3. Start to download apps that you like to AIRMM05F

### Product Characteristics



### Network Settings

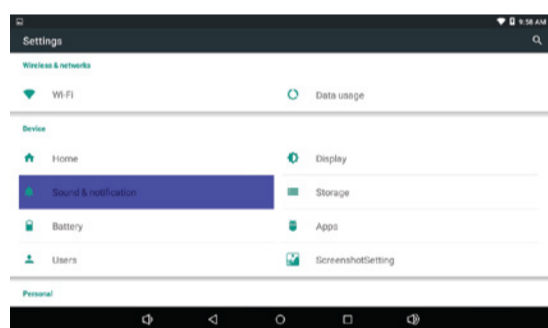


#### Scan

AIRMM05F scans for available Wi-Fi networks and displays the names of those it finds. Secured networks are indicated with a Lock icon. If AIRMM05F finds a network that you connected to previously, it connects to it. If not:

1. Touch the Network you want to connect to
2. Use the keyboard to enter Password
3. Touch Connect

### Sound Settings



#### Notification Ringtone

Select a default ringtone for message, alarm and other notifications.

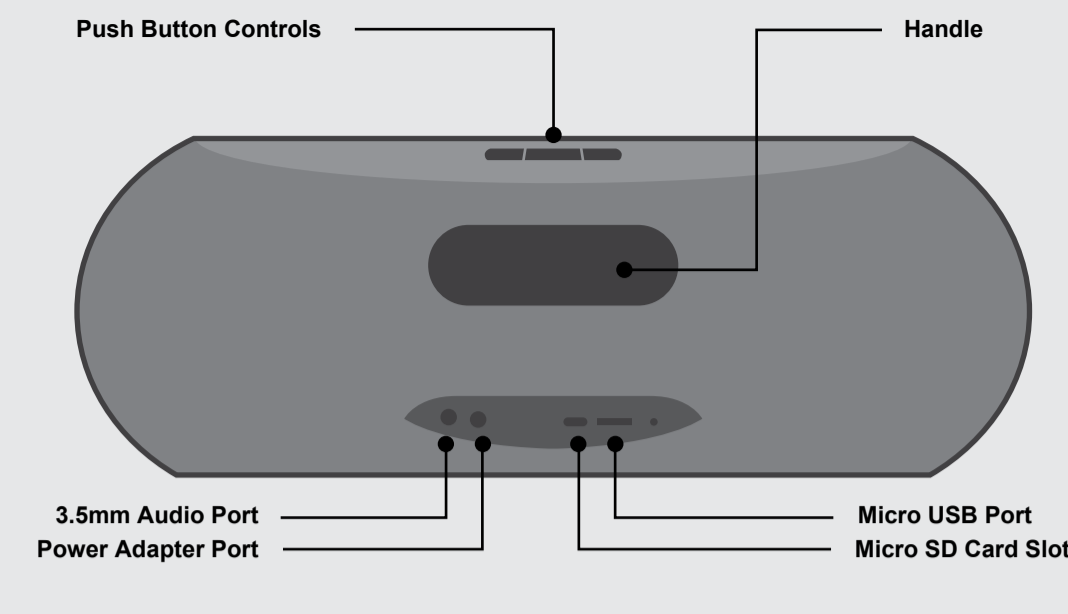
1. From Home screen, touch: **Settings > Sound and Notification**
2. Touch a ringtone to hear a sample and select it
3. Touch OK to save the setting

### Main Menu Icon / Shortcut Settings

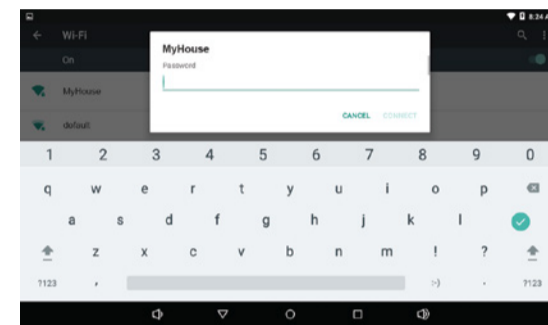


To customize the main screen app tile / shortcut:

1. Touch and hold the tile you want to change
2. Available apps will be display on the screen
3. Select the app that you want on the main screen
4. AIRMM05F will return to the main menu with the selected app as a new tile



### Network Settings



#### Add Wi-Fi Network

To open a dialog where you can add a Wi-Fi network by entering its Network SSID (the name it broadcasts), security type and other properties:

1. From Home screen, touch: **Settings > Wi-Fi**
2. Touch "+", then touch "Add Network"
3. Use keyboard to enter Network SSID
4. Touch the Security field and then touch a security type
5. Use the keyboard to enter Password
6. Touch Save

### Sound Settings



#### Audible Selection

When enabled, tones play when you touch screen items.

1. From Home screen, touch: **Settings > Sound Notification > Other Sounds**
2. Touch Sounds to enable or disable sound tones.

### Technical Support

If you need further assistance, please contact the Aluratek support department for troubleshooting prior to returning this device.

E-mail: [support@aluratek.com](mailto:support@aluratek.com)  
 Web: [www.aluratek.com/helpdesk](http://www.aluratek.com/helpdesk)  
 Local (Irvine, CA): 714-586-8730  
 Toll free: 1-866-580-1978

### Warranty

Aluratek warrants this product against defect in material or workmanship for **1 YEAR** from the date of purchase.

This warranty becomes invalid if the factory-supplied serial number or "warranty void" sticker has been removed or altered on the product.

This warranty does not cover:

- A) Cosmetic damage or damage due to acts of God
- B) Accident, misuse, abuse, negligence or modification of any part of the product.
- C) Damage due to improper operation or maintenance, connection to improper equipment, or attempted repair by anyone other than Aluratek.
- D) Products sold AS IS or WITH FAULTS.

IN NO EVENT SHALL ALURATEK'S LIABILITY EXCEED THE PRICE PAID FOR THE PRODUCT FROM DIRECT, INDIRECT, SPECIAL, INCIDENTAL, OR CONSEQUENTIAL DAMAGES RESULTING FROM THE USE OF THE PRODUCT, IT'S ACCOMPANYING SOFTWARE, OR IT'S DOCUMENTATION.

Aluratek makes no warranty or representation, expressed, implied, or statutory, with respect to its products, contents or use of this documentation and all accompanying software, and specifically disclaims its quality, performance, merchantability, or fitness for any particular purpose. Aluratek reserves the right to revise or update it's product, software or documentation without obligation to notify any individual or entity.