

AirStream Universal Bluetooth Audio Transmitter

Quick Start Guide



model ABAS01F

aluratek.com

qsg Q10496 Copyright © 2018 Aluratek, Inc. All Rights Reserved.

Operation

Control Functions

Function	Operation
Power ON	When OFF, press and hold the Power Button for 3 seconds until the blue LED flashes
Power OFF	When ON, press and hold the Power Button for 3 seconds until the red LED flashes
Pairing	When OFF, press and hold the Power Button for 5 seconds or press the Power Button once in standby mode (LED flashes red and blue)

Operation

Charging The Battery

The battery is not fully charged and it is highly recommended that you charge ABAS01F before you begin using it.

Note: Using ABAS01F "out of the box" will not harm the device. You will experience reduced battery life as the unit will not be fully charged.

Connect the larger USB end of the cable provided to your PC or USB power adapter or powerbank (not included). Plug the smaller Micro USB to the charging port of ABAS01F. Please charge the battery for a minimum of 3 hours. The red LED will be on while charging. When charging is complete, the red LED will turn OFF.

Package Contents

Your order has been carefully packaged and inspected. The following accessories should be included in your package. Please inspect the contents of the package to ensure that you have received all items and that nothing has been damaged. If you discover a problem, please contact us immediately for assistance.



USB Charging Cable



Seat Adapter

Operation

LED Indicators

LED Indicator	Status
Solid Red LED	Charging
LED OFF	Power OFF / Fully charged if connected to a power source
Flashing Red and Blue	Pairing Mode
Flashing Red	Low battery
Solid Blue LED	Successfully paired
Flashing Blue Twice (Every 5 Seconds)	Powered on and in standby mode but not paired with Bluetooth devices

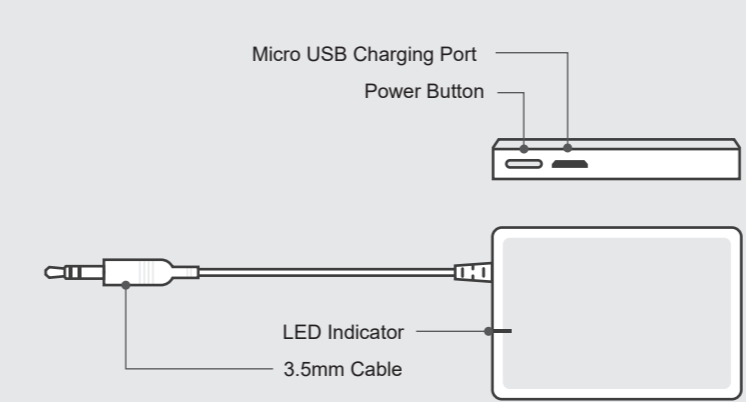
Note: For first time use, once powered on, the adapter will automatically enter pairing mode. After 10 seconds, the LED will flash blue and red. Please follow the instructions below on how to pair.

Troubleshooting

If both red and blue LED lights stays on or if the device does not respond to pressing and holding the power button, follow below steps to reset the transmitter.

1. Press and hold the power button
2. While holding the power button, connect the USB charging cable which is connected to either a power adapter or computer
3. Release the power button when the red and blue LED lights are flashing alternately
4. The transmitter is now reset and ready to pair again

Product Highlights



Operation

Pairing

Please make sure the device supports A2DP profile. The pairing procedure will vary depending on the actual device. Please refer to the user guide of your device for detail instruction. The general pairing procedures are as follows:

1. Make sure ABAS01F is turned OFF
2. Activate your device's Bluetooth function and set your device to pairing mode.
3. Activate ABAS01F pairing mode by press and holding the power button for 5 seconds (If ABAS01F has not been paired to any device before, it will go into pairing mode after it is powered ON)
4. ABAS01F and your Bluetooth device will pair automatically
5. After connecting successfully, the blue LED will stay on

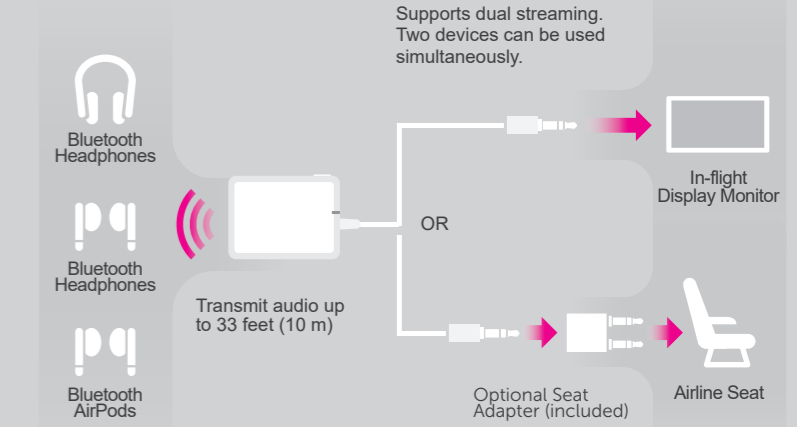
Note: After the initial pairing of your Bluetooth device with ABAS01F. It is recommend that you power on your Bluetooth device first before you power on ABAS01F for subsequent uses for faster reconnection. If the device does not reconnect, you may press the power button to speed up the process.

Radio and TV Interference Statement

WARNING!!! This equipment has been tested and found to comply with the limits of a Class B digital device, pursuant to part 15 of the FCC rules. These limits are designed to provide reasonable protection against harmful interference in a residential installation.

This equipment generates, uses and can radiate radio frequency energy and, if not installed and used in accordance with the instruction, may cause harmful interference to radio communications. However, there is no guarantee that interference will not occur in a particular installation. If this equipment does cause harmful interference to radio or television reception, which can be determined by turning the equipment off and on, the user is encouraged to try to correct the interference by whatever measures may be required to correct the interference.

Product Application



Operation

Pair With Two Devices At The Same Time

The adapter is able to pair with two Bluetooth stereo headphones/speakers at the same time.

1. Follow the previous instructions in the "Pairing" section to pair ABAS01F with your first device.
2. Turn off the Bluetooth function on your first device
3. Activate your second device's Bluetooth function and set your device to paring mode
4. Tap the Power Button once on ABAS01F to pair and connect to your second device
5. Turn on the Bluetooth function on your first device. In approximately 30 seconds, the device will automatically connect

Note: If the second device does not auto connect, please press the power button once to reconnect.

Using ABAS01F With Power Connected

Here are the steps to follow if you want to use ABAS01F with power connected. ABAS01F will stay in standby mode as long the power is connected so your Bluetooth device can reconnect automatically after you are within range.

1. Make sure ABAS01F is turned OFF
2. Connect the larger USB end of the cable provided to your powerbank, power adapter or USB port at the seat and the smaller end to the charging port to ABAS01F
3. Follow the pairing instruction to pair your device if it is not paired already

Technical Support and Warranty

If you need further assistance, please contact the Aluratek support department for troubleshooting prior to returning this device.

E-mail: support@aluratek.com
 Web: www.aluratek.com/helpdesk
 Local (Irvine, CA): 714-586-8730
 Toll free: 1-866-580-1978

Aluratek warrants this product against defect in material or workmanship for **1 YEAR** from the date of purchase.

For more information, please visit: <https://aluratek.com/warranty-return-policy>

You can register your product online at: <https://aluratek.com/product-registration>